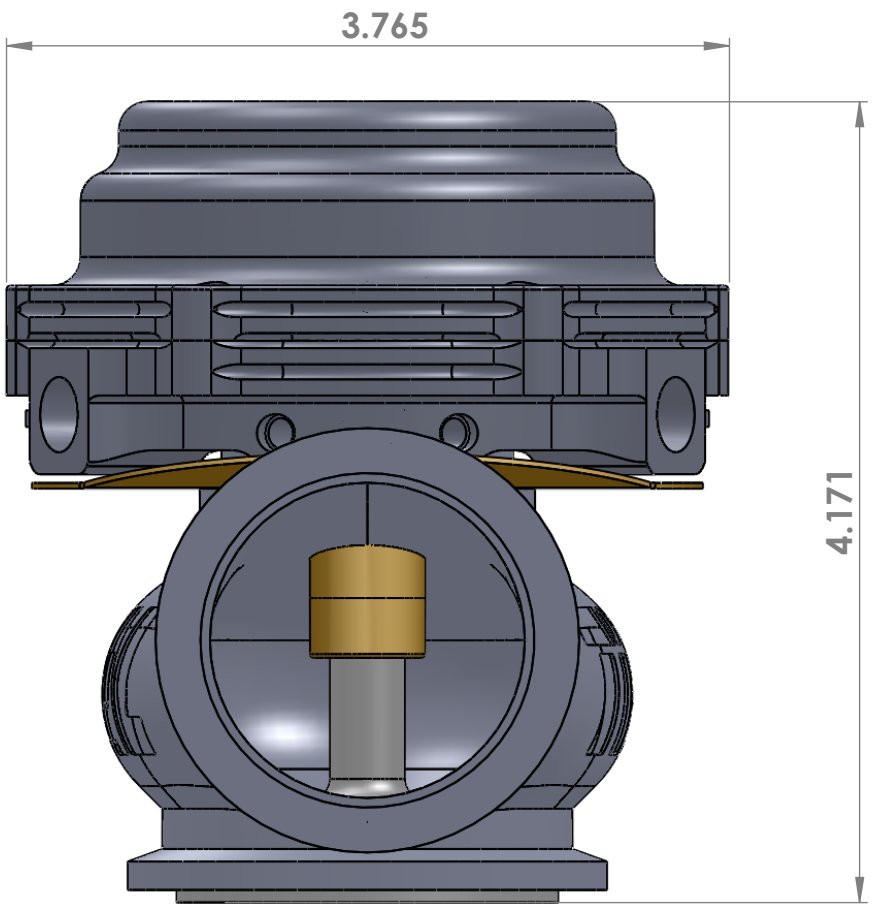
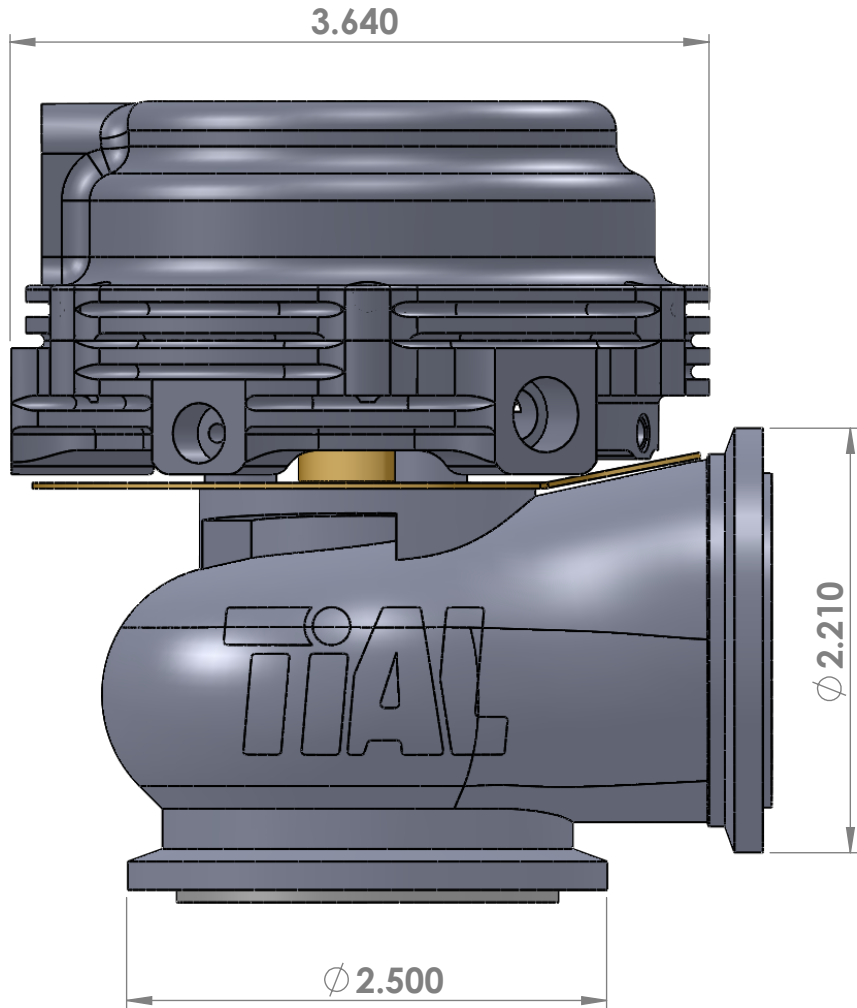


REV	DATE	RELEASED REVISION	DWN
A	5/12/10	RELEASED	ES
-	-	-	-
-	-	-	-



PROPRIETARY AND CONFIDENTIAL  
 THE INFORMATION CONTAINED IN THIS DRAWING IS THE SOLE PROPERTY OF TIAL PRODUCTS.  
 ANY REPRODUCTION IN PART OR AS A WHOLE WITHOUT THE WRITTEN PERMISSION OF TIAL PRODUCTS IS STRICTLY PROHIBITED.

**TIALSPORT**  
 TIAL PRODUCTS, 450 S. SHIAWASSEE, OWOSSO, MI 48867

TITLE  
**MV-R**

PART NO.

REV  
**A**

DRAWN: ES      DATE: 5/12/10      CHECKED: ES      SHEET: 1 OF 1

5

4

3

2

1